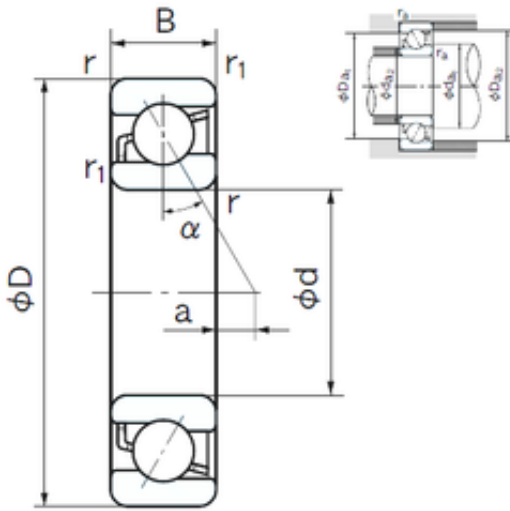




ASAHI FORGE OF AMERICA BEARING CORP.



85 mm x 150 mm x 28 mm NACHI 7217B angular contact ball bearings

Bearing No. 7217B

7217B Bearing 2D drawings and 3D CAD models

Size	85x150x28 mm
Bore Diameter	85 mm
Outer Diameter	150 mm
Width	28 mm
d	85 mm
D	150 mm
B	28 mm
C	28 mm
Angle (°)	40 °
a	35.4 mm
r min.	2 mm
r1 min.	1 mm
da min.	95 mm
Da max.	140 mm
ra max.	2 mm
Weight	1.87 Kg
Basic dynamic load rating (C)	96,5 kN
Basic static load rating (C0)	83,5 kN
(Grease) Lubrication Speed	3400 r/min
Category	Angular Contact Ball Bearings
Inventory	0.0
Manufacturer Name	NACHI
Minimum Buy Quantity	N/A
Weight / Kilogram	1.869



ASAHI FORGE OF AMERICA BEARING CORP.

Product Group	B00308
Enclosure	Open
Flush Ground	No
Rolling Element	Ball Bearing
Number of Rows of Balls	Single Row
Precision Class	ABEC 1 ISO P0
Maximum Capacity / Filling Slot	No
Snap Ring	No
Cage Material	Steel
Contact Angle	40 Degree
Internal Clearance	C0-Medium
Number of Bearings	1 (Single)
Inch - Metric	Metric
Long Description	85MM Bore; 150MM Outside Diameter; 28MM Width; Open; No Flush Ground; Ball Bearing; Single Row of Balls; ABEC 1 ISO P0; No Filling Slot; No Snap Ring
Category	Angular Contact Ball Bearing
UNSPSC	31171531
Harmonized Tariff Code	8482.10.50.28
Noun	Bearing
Keyword String	Angular Contact
Manufacturer URL	http://www.nachi.com
Manufacturer Item Number	7217 B BNLS
Weight / LBS	4.12
Bore	3.346 Inch 85 Millimeter
Outside Diameter	5.906 Inch 150 Millimeter
Width	1.102 Inch 28 Millimeter
Configuration	Single Row
Bore Type	Cylindrical Bore



ASAHI FORGE OF AMERICA BEARING CORP.

Bore Size	85 mm
Fillet Radius/Chamfer	2 mm
r1	1 mm
Dynamic Load Rating	96,500 N
Static Load Rating	83,500 N
Limiting Speed - Grease	3,400 rpm
Limiting Speed - Oil	4,500 rpm
da1 (min)	95 mm
da2 (min)	91 mm
Da1 (max)	140 mm
Da2 (max)	144 mm
ra (max)	2 mm
ra1 (max)	1 mm