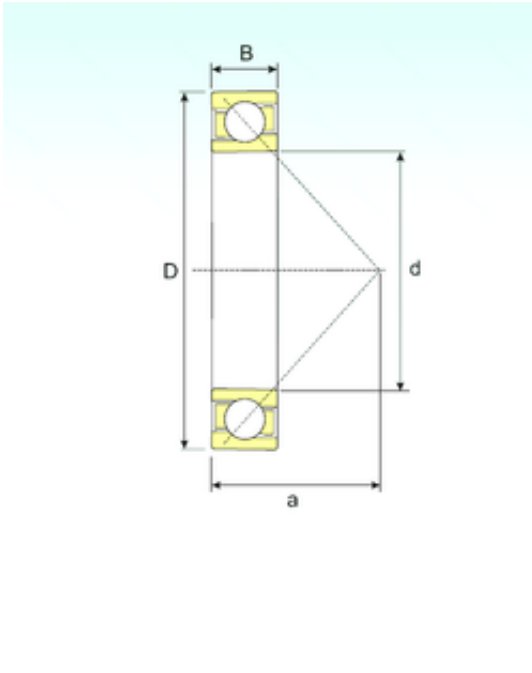




ASAHI FORGE OF AMERICA BEARING CORP.



7338 B Bearing 2D drawings and 3D CAD models

190 mm x 400 mm x 78 mm ISB 7338 B angular contact ball bearings

Bearing No. 7338 B

Size	190x400x78 mm
Bore Diameter	190 mm
Outer Diameter	400 mm
Width	78 mm
d	190 mm
D	400 mm
B	78 mm
C	78 mm
a	164 mm
Weight	48,5 Kg
Basic dynamic load rating (C)	410 kN
Basic static load rating (C0)	455 kN
(Grease) Lubrication Speed	1150 r/min