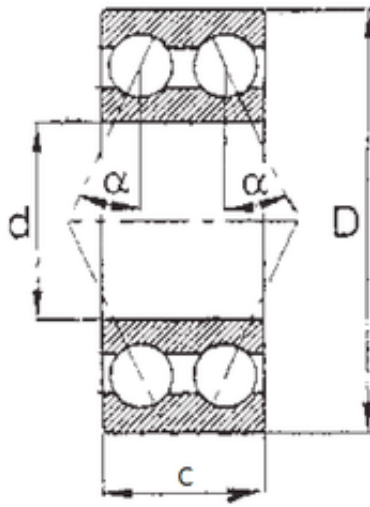




ASAHI FORGE OF AMERICA BEARING CORP.



65 mm x 120 mm x 38,1 mm FBJ 5213 angular contact ball bearings

Bearing No. 5213

Size	65x120x38.1 mm
Bore Diameter	65 mm
Outer Diameter	120 mm
Width	38,1 mm
d	65 mm
D	120 mm
B	38,1 mm
C	38,1 mm
Angle ()	25 °
Weight	1,66 Kg
Basic dynamic load rating (C)	86,9 kN
Basic static load rating (C0)	75,3 kN
(Grease) Lubrication Speed	3200 r/min

5213 Bearing 2D drawings and 3D CAD models