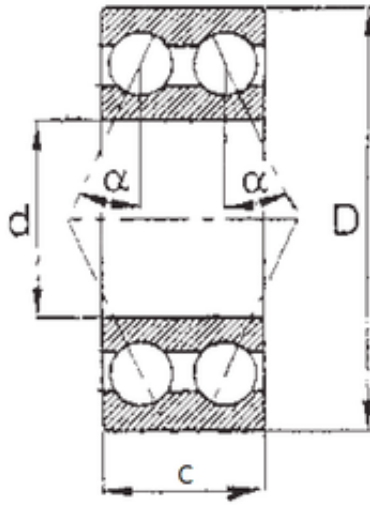




# ASAHI FORGE OF AMERICA BEARING CORP.



55 mm x 120 mm x 49,2 mm FBJ 5311 angular contact ball bearings

Bearing No. 5311

Size	55x120x49.2 mm
Bore Diameter	55 mm
Outer Diameter	120 mm
Width	49,2 mm
d	55 mm
D	120 mm
B	49,2 mm
C	49,2 mm
Angle ( )	25 °
Weight	2,32 Kg
Basic dynamic load rating (C)	106 kN
Basic static load rating (C0)	82 kN
(Grease) Lubrication Speed	3300 r/min

5311 Bearing 2D drawings and 3D CAD models