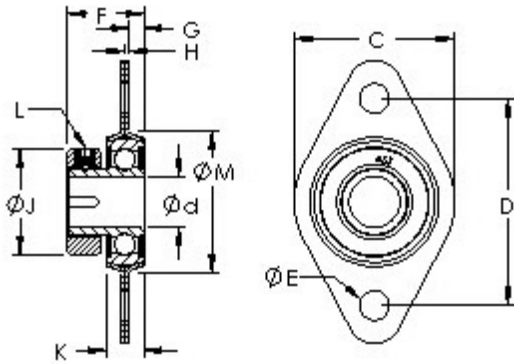




ASAHI FORGE OF AMERICA BEARING CORP.



AST S3PPB15ST bearing units

Bearing No. S3PPB15ST

Bore Diameter	7,9375 mm
Bearing Type	flangette
Bore Dia (d)	0.3125
Dynamic Load Rating (Cr)	575
Static Load Rating (Cor)	305
Flangette Width (C)	1.1900
Flangette Length (A)	2.0900
Mounting Hole Centers (D)	1.5300
Mounting Hole Dia. (E)	0.2190
Flangette Assembly Height (F)	0.5620
Backside Distance (G)	0.1070
Flange Material Thickness (H)	0.0330
Bearing Collar Outside Dia. (J)	0.7800
Flangette Assembly Width (K)	0.2800
Bearing Collar Set Screw (L) - 8-36 UNF	836 UNF
Frame Hole Minimum Dia. (M)	1.0900
Material	52100 chrome steel, or equivalent

S3PPB15ST Bearing 2D drawings and 3D CAD models