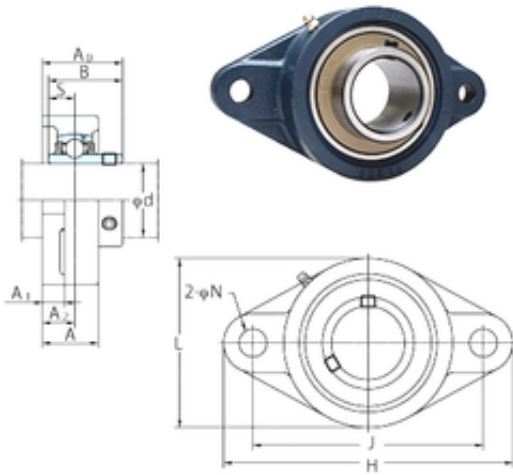




# ASAHI FORGE OF AMERICA BEARING CORP.

## FYH UCFL215E bearing units

Bearing No. UCFL215E



UCFL215E Bearing 2D drawings and 3D CAD models

Bore Diameter	75 mm
d	75 mm
A0	78,5 mm
A	56 mm
A1	20 mm
B	77,8 mm
H	275 mm
J	225 mm
L	165 mm
N	19 mm
S	33,3 mm
A2	34 mm
Weight	6,4 Kg
Basic dynamic load rating (C)	67,4 kN
Basic static load rating (C0)	48,3 kN