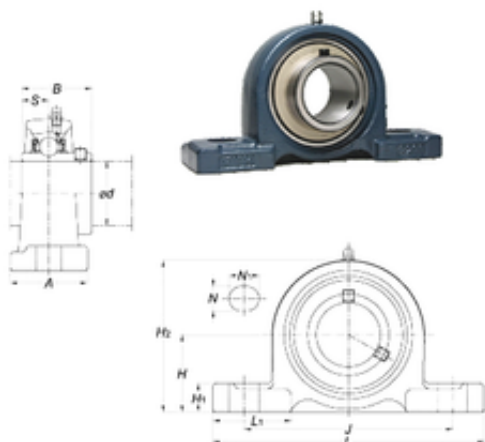




ASAHI FORGE OF AMERICA BEARING CORP.

FYH UCP313-40 bearing units

Bearing No. UCP313-40



UCP313-40 Bearing 2D drawings and 3D CAD models

Bore Diameter	63,5 mm
Width	75 mm
d	63,5 mm
A	90 mm
B	75 mm
H	90 mm
H1	32 mm
H2	176 mm
J	260 mm
L	340 mm
L1	110 mm
N	25 mm
N1	38 mm
S	30 mm
Bolt (G)	M20
Weight	10,7 Kg
Basic dynamic load rating (C)	92,7 kN
Basic static load rating (C0)	59,9 kN