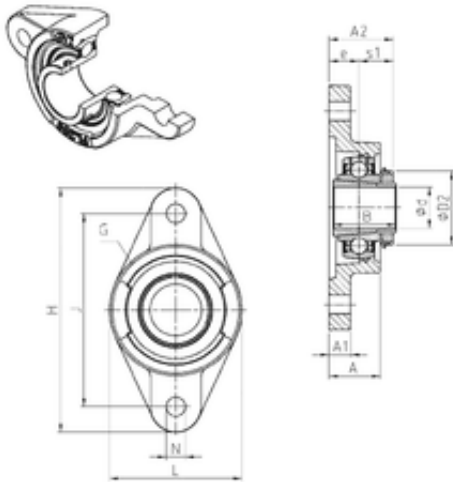




ASAHI FORGE OF AMERICA BEARING CORP.



SNR UKFL309H bearing units

Bearing No. UKFL309H

Bore Diameter	40 mm
d	40 mm
e	25 mm
s1	30 mm
A	44 mm
A1	18 mm
B	50 mm
D2	65 mm
H	230 mm
J	177 mm
L	125 mm
N	25 mm
Thread (G)	M6x1
A2	55 mm
Weight	3,3 Kg
Basic dynamic load rating (C)	53 kN

UKFL309H Bearing 2D drawings and 3D CAD models