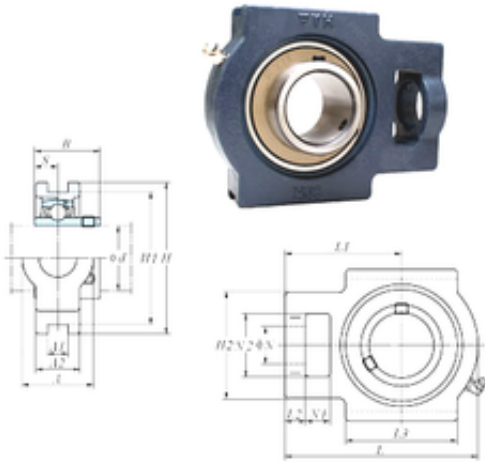




# ASAHI FORGE OF AMERICA BEARING CORP.

## FYH UCT326 bearing units



Bearing No. UCT326

Bore Diameter	130 mm
d	130 mm
L2	45 mm
L3	240 mm
A	150 mm
A1	50 mm
B	135 mm
H	385 mm
H1	350 mm
H2	220 mm
L	465 mm
L1	285 mm
N	75 mm
N1	65 mm
S	54 mm
A2	100 mm
N2	150 mm
Weight	69,3 Kg
Basic dynamic load rating (C)	229 kN
Basic static load rating (C0)	214 kN
Category	Mounted Units & Inserts
Inventory	0.0
Manufacturer Name	FYH BEARING UNITS
Minimum Buy Quantity	N/A
Weight / Kilogram	0
Product Group	M06110

UCT326 Bearing 2D drawings and 3D CAD models



# **ASAHI FORGE OF AMERICA BEARING CORP.**