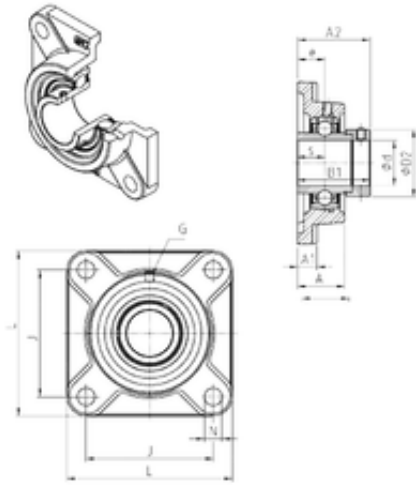




ASAHI FORGE OF AMERICA BEARING CORP.



SNR EXF315 bearing units

Bearing No. EXF315

Bore Diameter	75 mm
d	75 mm
e	39 mm
s	37,3 mm
A	66 mm
A1	25 mm
B1	100 mm
D2	113 mm
J	184 mm
L	236 mm
N	25 mm
Thread (G)	M10x1
A2	101,7 mm
Weight	11,4 Kg
Basic dynamic load rating (C)	113,36 kN
B	74.6 mm
d1	113 mm
G	M10x1
s1	69.1 mm
S	37.3 mm
C	113.36 kN
C0	76.8 kN
T min.	-20 ° C
T max.	100 ° C
Recommended tightening torque for set screw	64 Nm

EXF315 Bearing 2D drawings and 3D CAD models



ASAHI FORGE OF AMERICA BEARING CORP.

Designation of housing	F315-
Designation of bearing	EX315G2