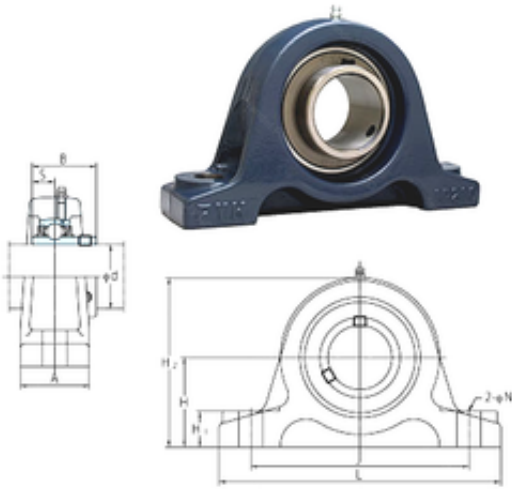




ASAHI FORGE OF AMERICA BEARING CORP.

FYH UCIP322 bearing units

Bearing No. UCIP322



UCIP322 Bearing 2D drawings and 3D CAD models

Bore Diameter	110 mm
Width	117 mm
d	110 mm
A	100 mm
B	117 mm
H	170 mm
H1	50 mm
H2	335 mm
J	410 mm
L	490 mm
N	32 mm
S	46 mm
Bolt (G)	M30
Weight	52,4 Kg
Basic dynamic load rating (C)	205 kN
Basic static load rating (C0)	180 kN