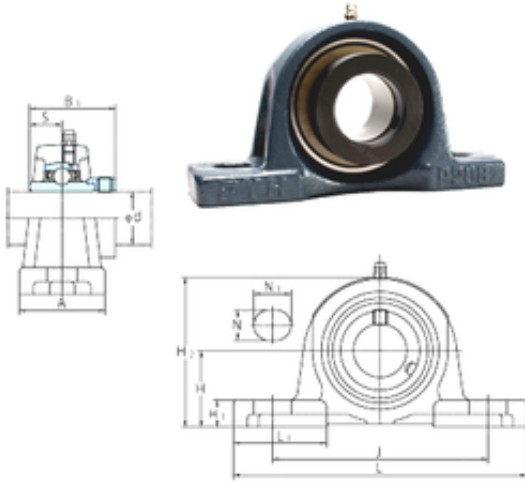




ASAHI FORGE OF AMERICA BEARING CORP.

FYH NAP211-32 bearing units



Bearing No. NAP211-32

Bore Diameter	50,8 mm
Width	63,5 mm
d	50,8 mm
A	60 mm
B1	71,4 mm
H	63,5 mm
H1	19 mm
H2	125 mm
J	171 mm
L	219 mm
L1	70 mm
N	20 mm
N1	22 mm
S	27,8 mm
Bolt (G)	M16
Weight	3,9 Kg
Basic dynamic load rating (C)	43,4 kN

NAP211-32 Bearing 2D drawings and 3D CAD models