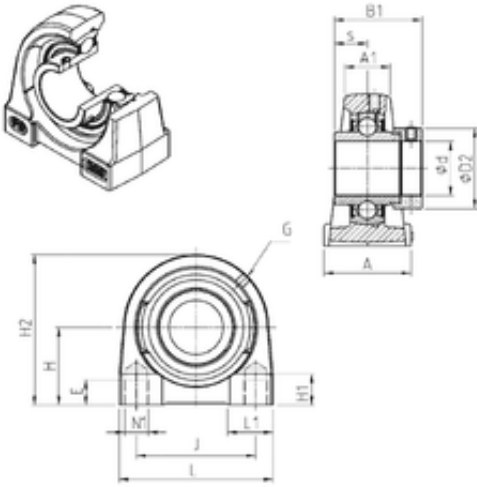




ASAHI FORGE OF AMERICA BEARING CORP.



SNR EXPG206 bearing units

Bearing No. EXPG206

Bore Diameter	30 mm
d	30 mm
s	18,2 mm
A	48 mm
A1	25 mm
B1	48,3 mm
D2	44,5 mm
E	18 mm
H	42,9 mm
H1	17 mm
H2	83 mm
J	60 mm
L	85 mm
L1	25 mm
Thread (G)	M6x1
Thread (N1)	M10
Weight	1,2 Kg
Basic dynamic load rating (C)	19,5 kN

EXPG206 Bearing 2D drawings and 3D CAD models