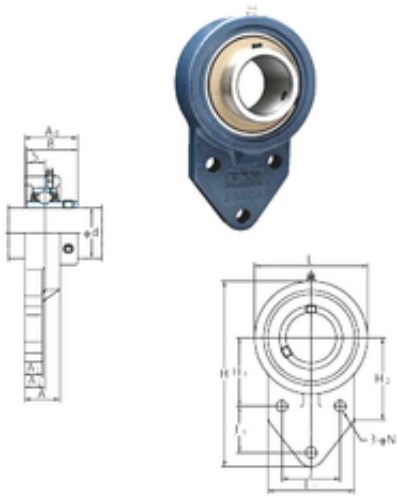




ASAHI FORGE OF AMERICA BEARING CORP.



UCFB206 Bearing 2D drawings and 3D CAD models

FYH UCFB206 bearing units

Bearing No. UCFB206

Bore Diameter	30 mm
d	30 mm
A0	39,2 mm
A	29 mm
A1	13 mm
B	38,1 mm
H	130 mm
H1	50 mm
H2	55 mm
J	40 mm
L	78 mm
L1	65 mm
N	9,5 mm
S	15,9 mm
Bolt (G)	M8
A2	17 mm
J1	29 mm
Weight	0,92 Kg
Basic dynamic load rating (C)	19,5 kN
Basic static load rating (C0)	11,3 kN
Category	Mounted Units & Inserts
Inventory	0.0
Manufacturer Name	FYH BEARING UNITS
Minimum Buy Quantity	N/A
Weight / Kilogram	0
Product Group	M06110



ASAHI FORGE OF AMERICA BEARING CORP.