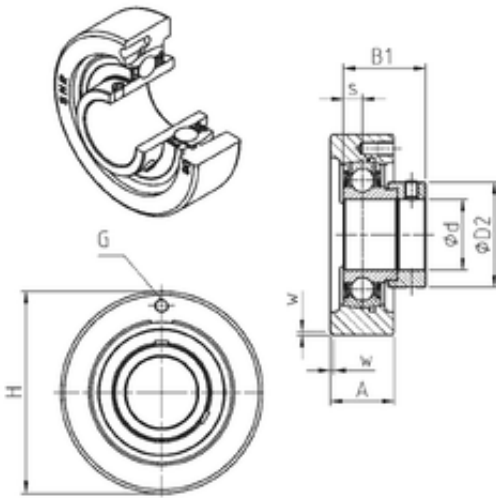




ASAHI FORGE OF AMERICA BEARING CORP.

SNR ESC211 bearing units

Bearing No. ESC211



ESC211 Bearing 2D drawings and 3D CAD models

Bore Diameter	55 mm
d	55 mm
s	12 mm
A	35 mm
B1	48,4 mm
D2	76,2 mm
H	125 mm
W	2,5 mm
Thread (G)	M6x1
Weight	2 Kg
Basic dynamic load rating (C)	43,55 kN
B	32.5 mm
A3	2.5 mm
A5	20.5 mm
d1	74.5 mm
G	M6x1
s1	36.95 mm
S	12 mm
SW	5 mm
C	43.55 kN
C0	29.2 kN
T min.	-20 ° C
T max.	100 ° C
Recommended tightening torque for set screw	22 Nm
Designation of housing	C211-



ASAHI FORGE OF AMERICA BEARING CORP.

Designation of bearing

ES211G2