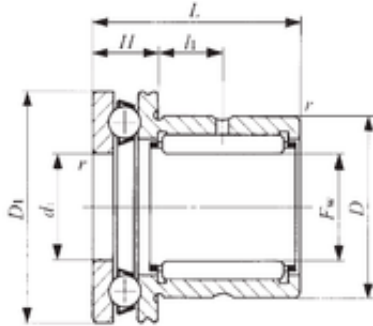




# ASAHI FORGE OF AMERICA BEARING CORP.

## IKO NAX 7040Z complex bearings



Bearing No. NAX 7040Z

Bore Diameter	70 mm
Outer Diameter	85 mm
Fw	70 mm
D	85 mm
D1	95 mm
D2	96,5 mm
d1	70 mm
r min.	1 mm
H	18 mm
L	40 mm
L1	11 mm
da min.	85 mm
Weight	0,606 Kg
Dynamic load rating radial (C)	55,5 kN
Dynamic load rating axial (C)	43,1 kN
Static load rating radial (C0)	120 kN
Static load rating axial (C0)	101 kN

NAX 7040Z Bearing 2D drawings and 3D CAD models