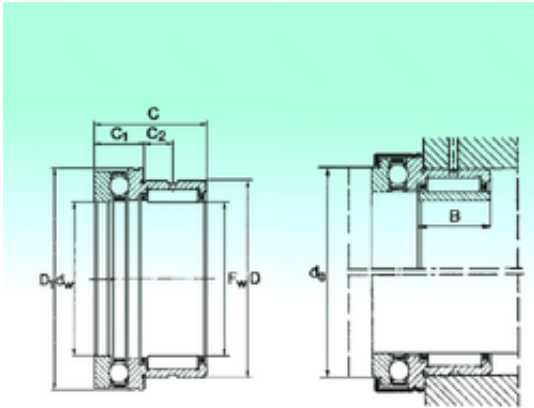




ASAHI FORGE OF AMERICA BEARING CORP.



NKX 15 Bearing 2D drawings and 3D CAD models

NBS NKX 15 complex bearings

Bearing No. NKX 15

Size	15x24x23 mm
Bore Diameter	15 mm
Outer Diameter	24 mm
Width	23 mm
d	15 mm
Fw	15 mm
D	24 mm
C	23 mm
C1	9 mm
D1	28,1 mm
D2	29,2 mm
C2	6,5 mm
da	23,7 mm
Weight	0,044 Kg
Dynamic load rating radial (C)	10 kN
Dynamic load rating axial (C)	10 kN
Static load rating radial (C0)	12 kN
Static load rating axial (C0)	16 kN