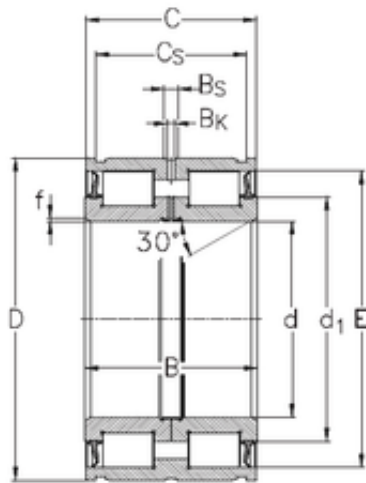




# ASAHI FORGE OF AMERICA BEARING CORP.



200 mm x 310 mm x 150 mm NKE  
NNF5040-2LS-V cylindrical roller bearings

Bearing No. NNF5040-2LS-V

Size	200x284x150 mm
Bore Diameter	200 mm
Outer Diameter	284 mm
Width	150 mm
d	200 mm
D	310 mm
E	284 mm
B	150 mm
C	149 mm
b	6,3 mm
b1	10,4 mm
d1	245 mm
f	2 mm
r3 min.	0,6 mm
r4 min.	0,6 mm
D1	304 mm
Weight	40,5 Kg
Basic dynamic load rating (C)	1363 kN
Basic static load rating (C0)	2947 kN

NNF5040-2LS-V Bearing 2D drawings and 3D CAD models