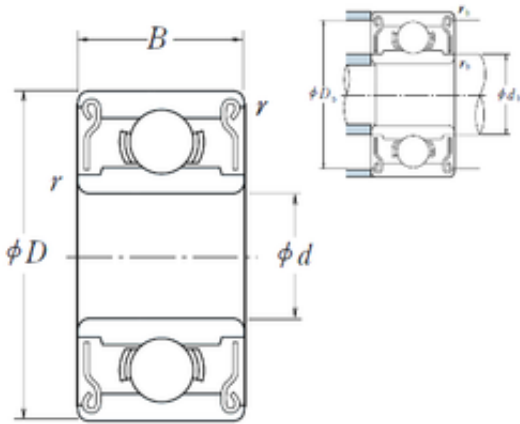




ASAHI FORGE OF AMERICA BEARING CORP.

6 mm x 22 mm x 7 mm ISO 636ZZ deep groove ball bearings

Bearing No. 636ZZ



636ZZ Bearing 2D drawings and 3D CAD models

Size	6x22x7 mm
Bore Diameter	6 mm
Outer Diameter	22 mm
Width	7 mm
d	6 mm
D	22 mm
B	7 mm
C	7 mm
r min.	0,3 mm