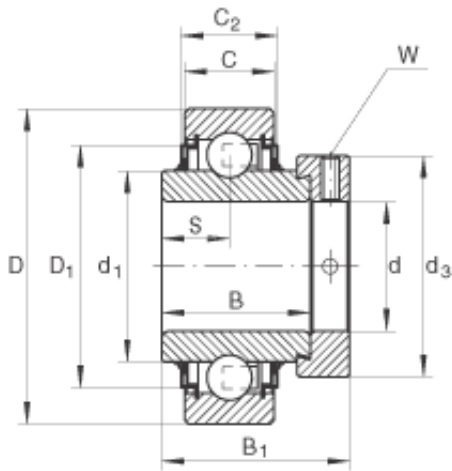




ASAHI FORGE OF AMERICA BEARING CORP.

20 mm x 47 mm x 34,1 mm INA E20-KLL deep groove ball bearings

Bearing No. E20-KLL



E20-KLL Bearing 2D drawings and 3D CAD models

Size	20x47x43.7 mm
Bore Diameter	20 mm
Outer Diameter	47 mm
Width	43,7 mm
d	20 mm
D	47 mm
B ₁	43,7 mm
B	34,1 mm
C	14 mm
C ₂	16,6 mm
D ₁	37,4 mm
d ₁	27,6 mm
d _{3 max}	33 mm
S	17,1 mm
W	3 mm
m	0,2 kg / Weight
C _r	13600 N / Dynamic load rating (radial)
C _{0r}	6600 N / Static load rating (radial)
Category	Insert Bearings Cylindrical OD
Inventory	0.0
Manufacturer Name	SCHAEFFLER GROUP
Minimum Buy Quantity	N/A
UNSPSC	31171536



ASAHI FORGE OF AMERICA BEARING CORP.

Weight / Kilogram	0.2
Product Group	B00308
Inner Race Profile	Wide Inner Ring
Outer Race Profile	Cylindrical
Mounting Method	Eccentric Collar
Rolling Element	Ball Bearing
Relubricatable	No
Seal Type	Double Non Contact Labyrinth
Snap Ring	No
Inch - Metric	Metric
Long Description	20MM Bore; Wide Inner Ring; 14MM Outer Race Width; 47MM Outside Diameter; Eccentric Collar; Ball Bearing; 43.7MM Length Thru Bore; Not Relubricatable; Double Non Contact Labyrinth Seal; No Snap Ring
Other Features	Single Row With Set Screw Conrad Non Filling Slot Metric
Length Thru Bore	1.72 Inch 43.7 Millimeter
Outside Diameter	1.85 Inch 47 Millimeter
Bore	0.787 Inch 20 Millimeter
Outer Race Width	0.551 Inch 14 Millimeter