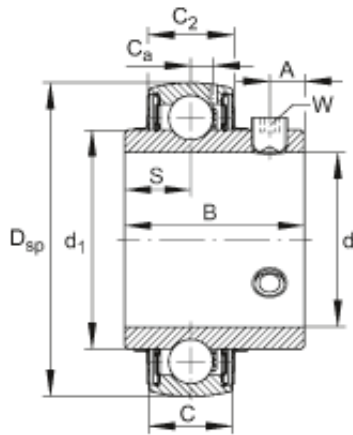




ASAHI FORGE OF AMERICA BEARING CORP.



FAG UC207 deep groove ball bearings

Bearing No. UC207

| | |
|-----------------|--|
| Size | 35x72x42.9 mm |
| Bore Diameter | 35 mm |
| Outer Diameter | 72 mm |
| Width | 42,9 mm |
| d | 35 mm |
| D _{SP} | 72 mm |
| B | 42,9 mm |
| A | 7 mm |
| C | 20 mm |
| C ₂ | 20,6 mm |
| C _a | 5,7 mm |
| d ₁ | 46,84 mm |
| S | 17,5 mm |
| W | 4 mm |
| m | 0,47 kg / Weight |
| C _r | 27500 N / Dynamic load rating (radial) |

UC207 Bearing 2D drawings and 3D CAD models