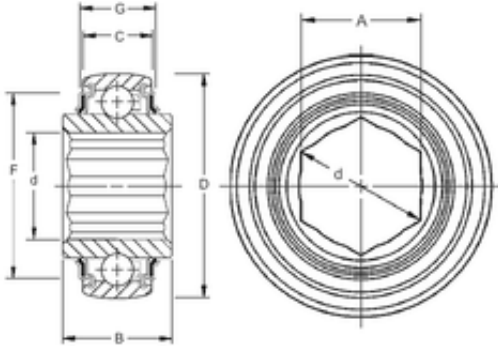




ASAHI FORGE OF AMERICA BEARING CORP.

25,65 mm x 52 mm x 25,4 mm Timken
205PPB13 deep groove ball bearings



Bearing No. 205PPB13

Size	25.65x52x25.4 mm
Bore Diameter	25,65 mm
Outer Diameter	52 mm
Width	25,4 mm
d	25,65 mm
D	52 mm
B	25,4 mm
C	15 mm
A	22,25 mm
F	42,67 mm
G	20,19 mm
Weight	0,2 Kg
Basic dynamic load rating (C)	15,6 kN

205PPB13 Bearing 2D drawings and 3D CAD models