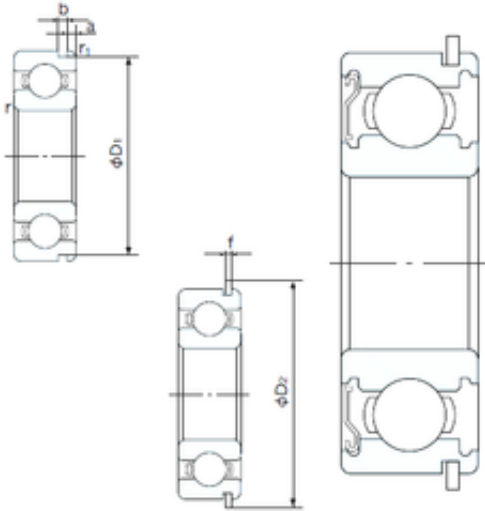




ASAHI FORGE OF AMERICA BEARING CORP.



75 mm x 115 mm x 20 mm NACHI 6015ZENR deep groove ball bearings

Bearing No. 6015ZENR

6015ZENR Bearing 2D drawings and 3D CAD models

Size	75x115x20 mm
Bore Diameter	75 mm
Outer Diameter	115 mm
Width	20 mm
d	75 mm
D	115 mm
B	20 mm
C	20 mm
a	2.87 mm
b	2.7 mm
f	2.46 mm
r min.	1.1 mm
r1 min.	0.5 mm
D1	111.81 mm
D2	121.6 mm
Weight	0.615 Kg
Basic dynamic load rating (C)	39,5 kN
Basic static load rating (C0)	33,5 kN
(Grease) Lubrication Speed	5700 r/min
Category	Single Row Ball Bearings
Inventory	0.0
Manufacturer Name	NACHI
Minimum Buy Quantity	N/A
Weight / Kilogram	0
Product Group	B00308



ASAHI FORGE OF AMERICA BEARING CORP.

Enclosure	1 Metal Shield
Precision Class	ABEC 1 ISO P0
Maximum Capacity / Filling Slot	No
Rolling Element	Ball Bearing
Snap Ring	Yes
Internal Special Features	No
Cage Material	Steel
Internal Clearance	C0-Medium
Inch - Metric	Metric
Long Description	75MM Bore; 115MM Outside Diameter; 20MM Outer Race Width; 1 Metal Shield; Ball Bearing; ABEC 1 ISO P0; No Filling Slot; Yes Snap Ring; No Internal Special Features; C0-Medium Internal Clearance; Ste
Other Features	Deep Groove With Snap Ring
Category	Single Row Ball Bearing
UNSPSC	31171504
Harmonized Tariff Code	8482.10.50.68
Noun	Bearing
Keyword String	Ball
Manufacturer URL	http://www.nachiamerica.com
Inner Race Width	0 Inch 0 Millimeter
Outside Diameter	4.528 Inch 115 Millimeter
Outer Race Width	0.787 Inch 20 Millimeter
Bore	2.953 Inch 75 Millimeter
Bore Type	Cylindrical Bore
Configuration	Single Row
Bore Size	75 mm
Width	20 mm



ASAHI FORGE OF AMERICA BEARING CORP.

Fillet Radius/Chamfer	1.1 mm
r1	0.5 mm
Snap Ring Width	2.5 mm
Snap Ring Outside Diameter	121.6 mm
D1 (max)	111.8 mm
a (max)	2.9 mm
b (min)	2.7 mm
Dynamic Load Rating	39,500 N
Static Load Rating	33,500 N
Limiting Speed - Grease	5,700 rpm
Limiting Speed - Oil	6,700 rpm
Factor fo	15.7
Radial Clearance	0.010 to 0.030 mm
da (min)	81 mm
Da (max)	109 mm
Dx (min)	123 mm
ra (max)	1 mm
Cy (max)	5 mm