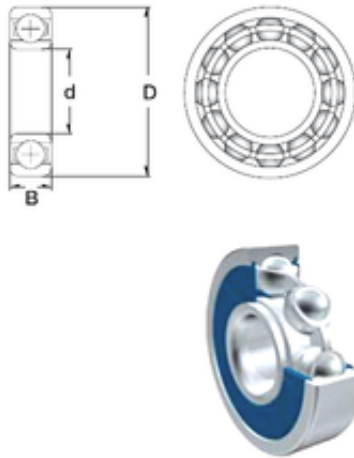




# ASAHI FORGE OF AMERICA BEARING CORP.



60 mm x 78 mm x 10 mm ZEN S61812-2RS  
deep groove ball bearings

Bearing No. S61812-2RS

Size	60x78x10 mm
Bore Diameter	60 mm
Outer Diameter	78 mm
Width	10 mm
d	60 mm
D	78 mm
B	10 mm
C	10 mm
Basic dynamic load rating (C)	11,5 kN
Basic static load rating (C0)	10,6 kN
(Grease) Lubrication Speed	8000 r/min

S61812-2RS Bearing 2D drawings and 3D CAD models