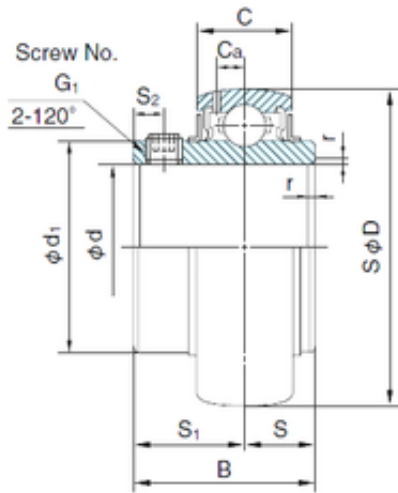




ASAHI FORGE OF AMERICA BEARING CORP.



75 mm x 130 mm x 77.8 mm NACHI UC215
deep groove ball bearings

Bearing No. UC215

Size	75x130x77.8 mm
Bore Diameter	75 mm
Outer Diameter	130 mm
Width	77.8 mm
d	75 mm
D	130 mm
B	77.8 mm
C	30 mm
S1	44.5 mm
Ca	9.2 mm
d1	91.5 mm
r	2.5 mm
S	33.3 mm
S2	14 mm
Thread (G)	M12 × 1.5
Weight	2.22 Kg
Basic dynamic load rating (C)	66 kN
Category	Bearings
Inventory	0.0
Manufacturer Name	NACHI
Minimum Buy Quantity	N/A
Weight / Kilogram	0
Product Group	M06110

UC215 Bearing 2D drawings and 3D CAD models