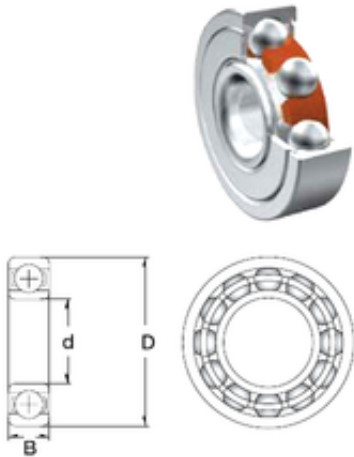




# ASAHI FORGE OF AMERICA BEARING CORP.



17 mm x 35 mm x 10 mm ZEN  
6003-2Z.T9H.C3 deep groove ball bearings

Bearing No. 6003-2Z.T9H.C3

Size	17x35x10 mm
Bore Diameter	17 mm
Outer Diameter	35 mm
Width	10 mm
d	17 mm
D	35 mm
B	10 mm
C	10 mm
Weight	0,041 Kg
Basic dynamic load rating (C)	6 kN
Basic static load rating (C0)	3,25 kN

6003-2Z.T9H.C3 Bearing 2D drawings and 3D CAD models