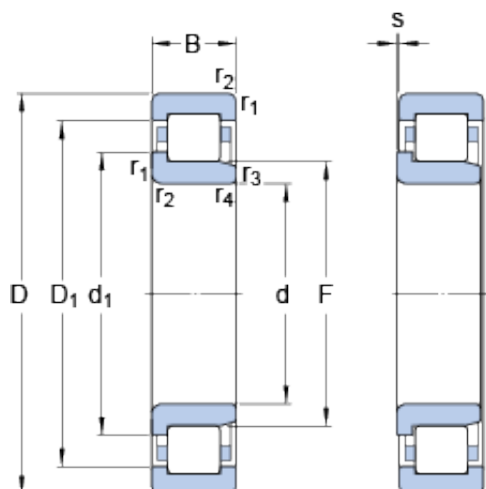




ASAHI FORGE OF AMERICA BEARING CORP.



95 mm x 200 mm x 45 mm SKF NJ 319 ECM thrust ball bearings

Bearing No. NJ 319 ECM

| | |
|---|--------------|
| Size | 200x95x45 mm |
| Bore Diameter | 200 mm |
| Outer Diameter | 95 mm |
| Width | 45 mm |
| d | 95 mm |
| D | 200 mm |
| B | 45 mm |
| d ₁ | 132 mm |
| D ₁ | 168.3 mm |
| F | 121.5 mm |
| r _{1,2} - min. | 3 mm |
| r _{3,4} - min. | 3 mm |
| s | 2.9 mm |
| d _a - min. | 110 mm |
| d _a - max. | 118 mm |
| d _b - min. | 135 mm |
| D _a - max. | 185 mm |
| r _a - max. | 2.5 mm |
| Basic dynamic load rating - C | 390 kN |
| Basic static load rating - C ₀ | 390 kN |
| Fatigue load limit - P _u | 46.5 kN |
| Reference speed | 3600 r/min |
| Limiting speed | 4300 r/min |
| Calculation factor - k _r | 0.15 |

NJ 319 ECM Bearing 2D drawings and 3D CAD models



ASAHI FORGE OF AMERICA BEARING CORP.

| | |
|---------------------------|---|
| Category | Cylindrical Roller Bearings |
| Inventory | 0.0 |
| Manufacturer Name | SKF |
| Minimum Buy Quantity | N/A |
| Weight / Kilogram | 7.51 |
| Product Group | B04144 |
| Bore Profile | Straight |
| Cage Material | Brass |
| Precision Class | RBEC 1 ISO P0 |
| Number of Rows of Rollers | Single Row |
| Separable | Inner Ring - One Side |
| Rolling Element | Cylindrical Roller Bearing |
| Profile | Complete with Outer and Inner Ring |
| Snap Ring | No |
| Internal Clearance | C0-Medium |
| Retainer | Yes |
| Relubricatable | Yes |
| Inch - Metric | Metric |
| Other Features | High Capacity 1 Rib Inner Ring 2 Rib Outer Ring Cage on Outer Ring ID |
| Long Description | 95MM Bore; Straight Bore Profile; 200MM Outside Diameter; 45MM Width; Brass Cage Material; RBEC 1 ISO P0; Single Row; Inner Ring - One Side Separable; No Snap Ring; Relubricatable; C0-Medium Intern |
| Category | Cylindrical Roller Bearing |
| UNSPSC | 31171547 |
| Harmonized Tariff Code | 8482.50.00.00 |
| Noun | Bearing |
| Manufacturer URL | http://www.skf.com |



ASAHI FORGE OF AMERICA BEARING CORP.

| | |
|--------------------------------|-----------------------------|
| Manufacturer Item Number | NJ 319 ECM |
| Weight / LBS | 16.541 |
| Outside Diameter | 7.874 Inch 200 Millimeter |
| Bore | 3.74 Inch 95 Millimeter |
| Width | 1.772 Inch 45 Millimeter |
| d_1 | 132 mm |
| D_1 | 168.45 mm |
| $r_{1,2}$ min. | 3 mm |
| $r_{3,4}$ min. | 3 mm |
| s max. | 2.9 mm |
| d_a min. | 110 mm |
| d_a max. | 118 mm |
| d_b min. | 135 mm |
| D_a max. | 185 mm |
| r_a max. | 2.5 mm |
| Basic dynamic load rating C | 390 kN |
| Basic static load rating C_0 | 390 kN |
| Fatigue load limit P_u | 46.5 kN |
| Calculation factor k_r | 0.15 |
| Limiting value e | 0.2 |
| Axial load factor Y | 0.6 |
| Mass bearing | 7.22 kg |